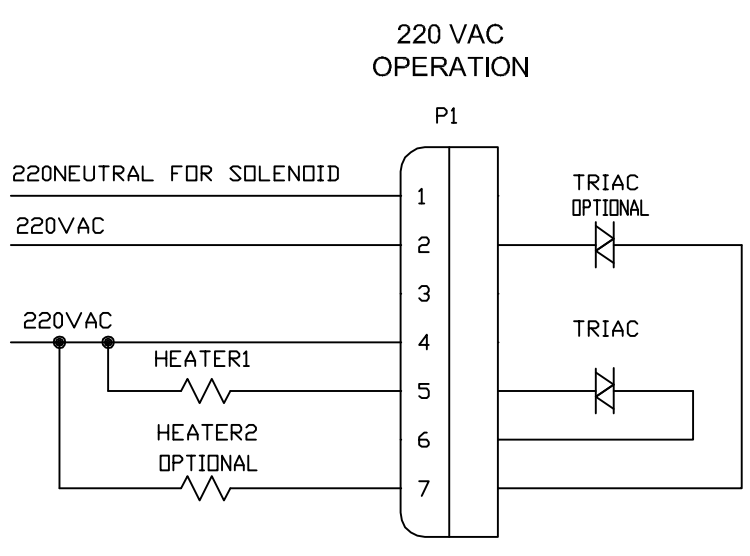
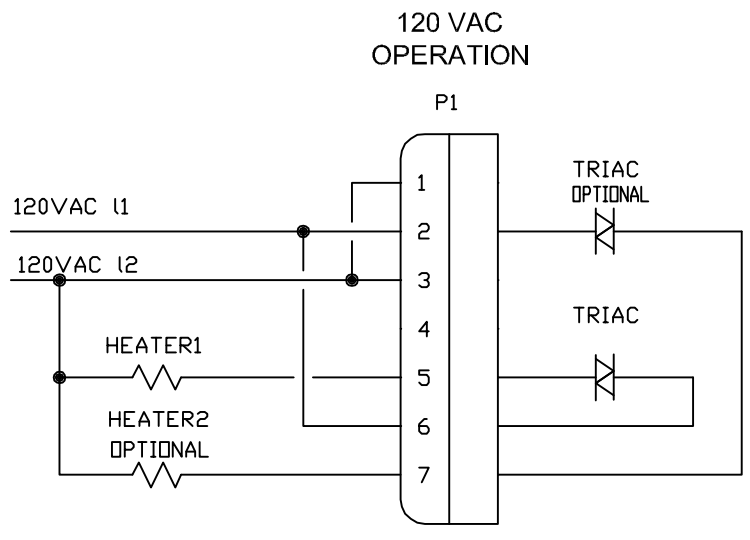
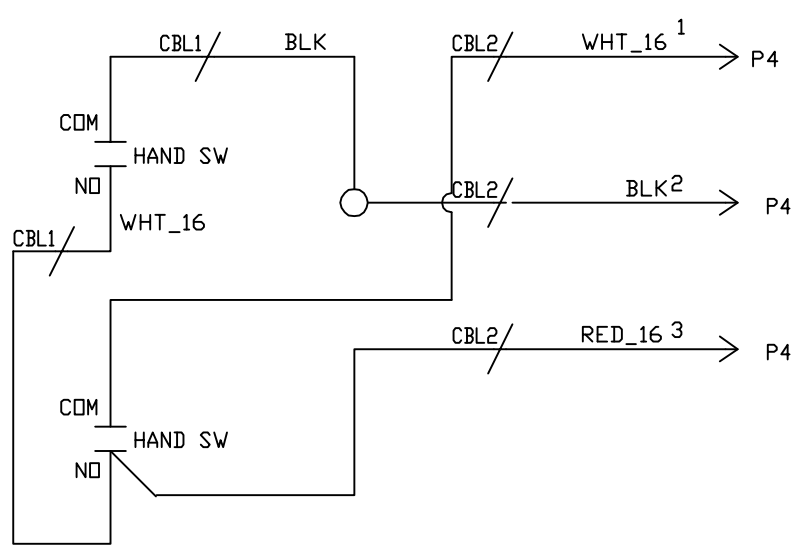
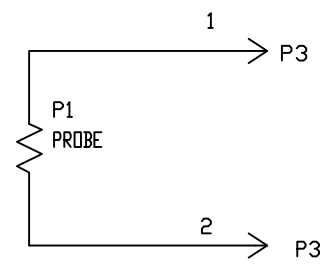
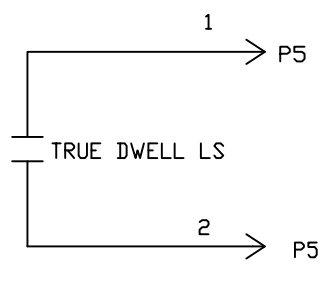
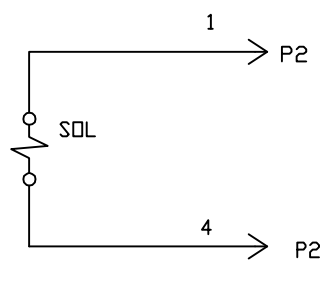
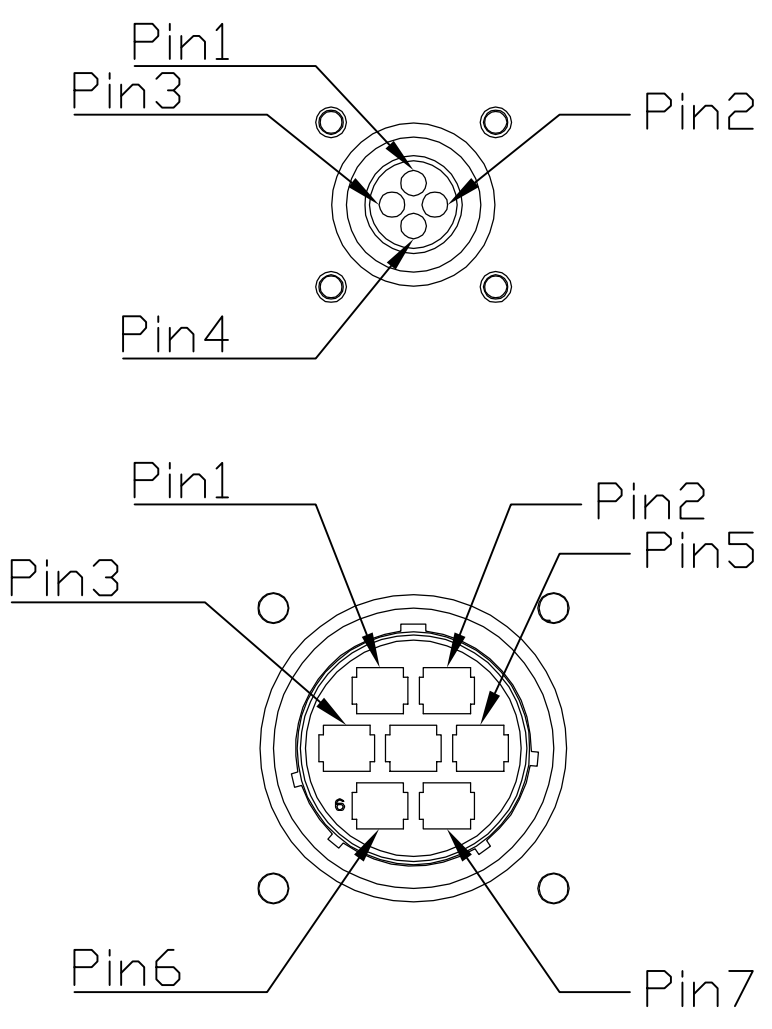
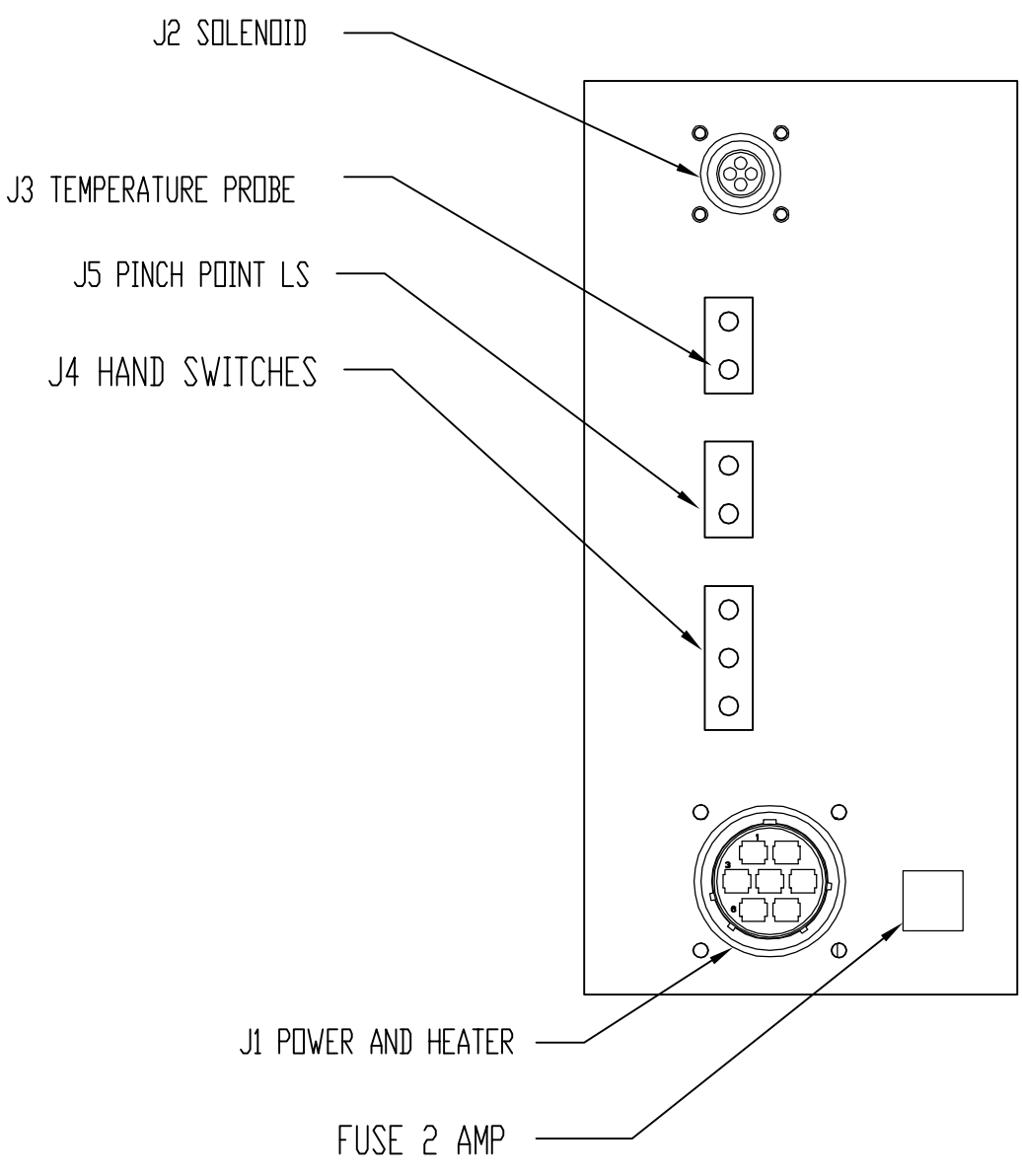


REV	DATE	CHANGE	TR NO.	REV BY.



**APM ENGINEERING, INC.**

1313 E. Borchard Ave  
Santa Ana, CA 92705

TITLE  
KENSOL IED-2  
Digital Control Box Back

DRAWING NO. Digital\_Box\_Back IED-2.dwg SHEET 1 OF 1

DESIGNED BY IRWIN  
DRAWN BY IRWIN  
CHECKED BY C.S.I.  
APPROVED BY C.S.I.

A

B

C

D