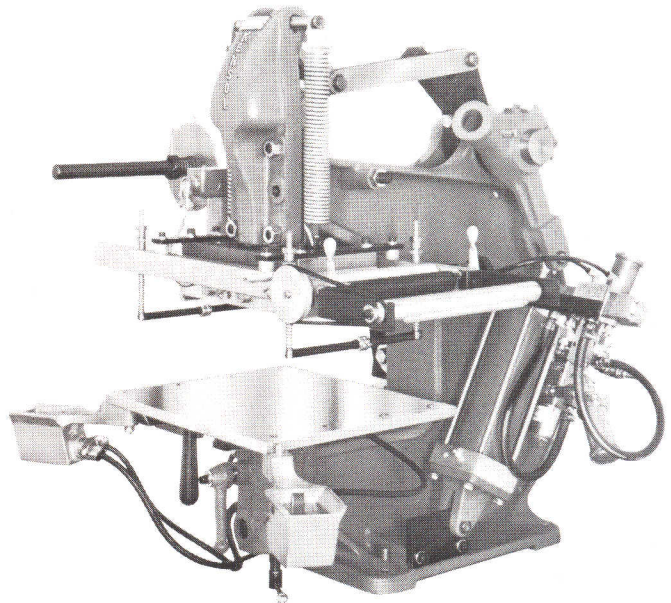


# Kensol 36T

## 3 TON AIR-OPERATED ROLL LEAF STAMPING PRESS

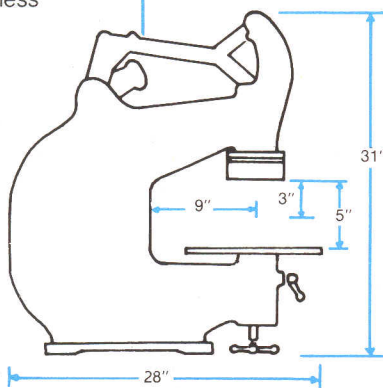
This medium range machine is the most popular press that we manufacture. The double toggle head drive system develops high pressure in a short cycle time for maximum production rates. The 36T was designed primarily to stamp flat items (up to 2 inches high); however, it is extensively used on a broad cross section of articles such as set up box covers, paint brush handles, diary covers, radio dials, etc.



### FEATURING

- Cast iron, dimensionally stable, C frame construction
- Double toggle head drive automatically compensates for thickness variations
- 3 inch head stroke for ease of feeding
- Ground steel work table slides out when makeready is required
- Electrical control panel with plug-in solid state heat controlled and electronic dwell timer
- Setup switch on control panel
- Hand lever included to bring head down manually for setup, if desired
- OSHA approved two hand switches
- Air filter, pressure regulator and automatic lubricator included
- Multiple feed roll leaf attachments available
- Both head and roll leaf attachment have adjustable speed valves
- Delay valve on roll leaf feed aids stripping action

### SPECIFICATIONS



#### IMPRESSION AREA      HEATING SYSTEM

5 x 6 Inches	800 Watts
6 x 8 Inches	1,000 Watts
6 x 12 Inches	1,500 Watts
9 x 12 Inches	2,100 Watts

HEAD STROKE: 3 Inches

DEPTH OF THROAT: 9 Inches

MAXIMUM OPENING: 5 Inches

WILL HOT STAMP ITEMS UP TO 2 INCHES HIGH

PRESSURE RANGE: UP TO 3 TONS

#### WORK TABLE:

½" x 12" x 14" standard on 5" x 6", 6" x 8" and 6" x 12" heads

6" x 12" heads

1" x 18" x 18" standard on 9" x 12" head

Slide out manually for ease of makeready

HEAT CONTROL: Plug-in style solid state 0-600° F range

DWELL TIMER: Plug-in style solid state electronic 0-5 second range, 0-10 second optional

CONTROLS: Two hand, concurrent, no tie down switches with head shut safety system

ELECTRICAL REQUIREMENTS: 110 Volts A.C. standard on 5" x 6", 6" x 8" and 6" x 12" heads; 220 Volts A.C. standard on 9" x 12" head

COMPRESSED AIR REQUIREMENTS: 7½ CFM at 80 P.S.I.

DIMENSIONS: 28" deep x 19" wide x 31" high

WEIGHT: 365 pounds net

See Bulletin 1-7 for type and die holders, turntable, power sliding table, and other accessories

## KENSOL-OLSENMARK INC.

40 MELVILLE PARK ROAD, MELVILLE, N.Y. 11747

PHONE: (516) 694-7773 • TWX 510-224-6418

WE ALSO MANUFACTURE FOILMARK ROLL LEAF