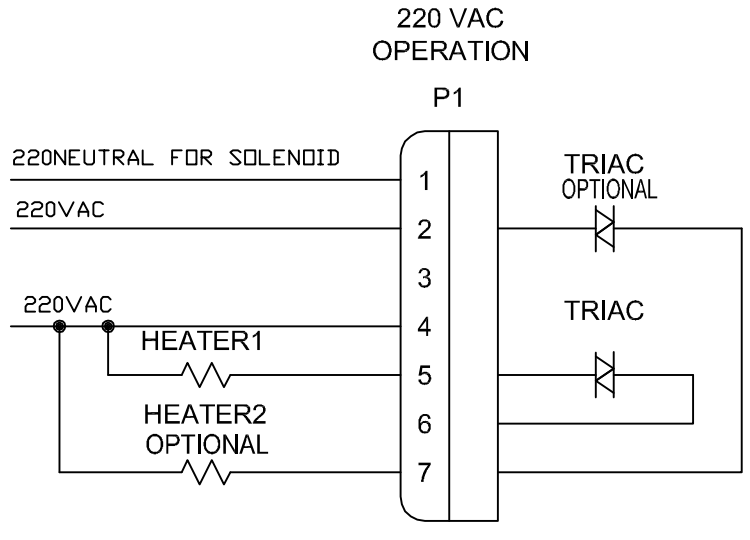
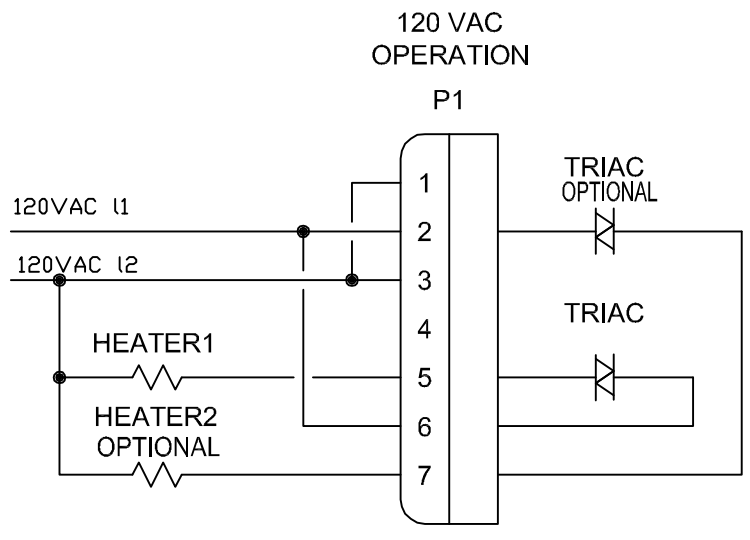
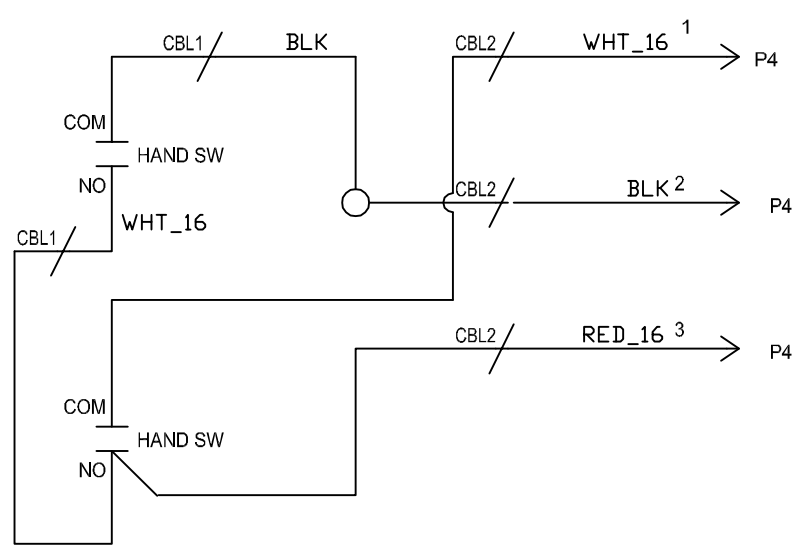
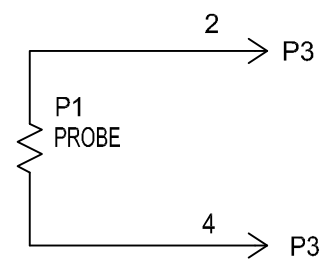
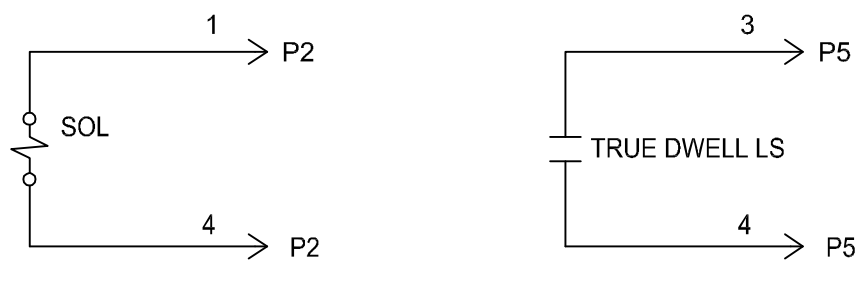
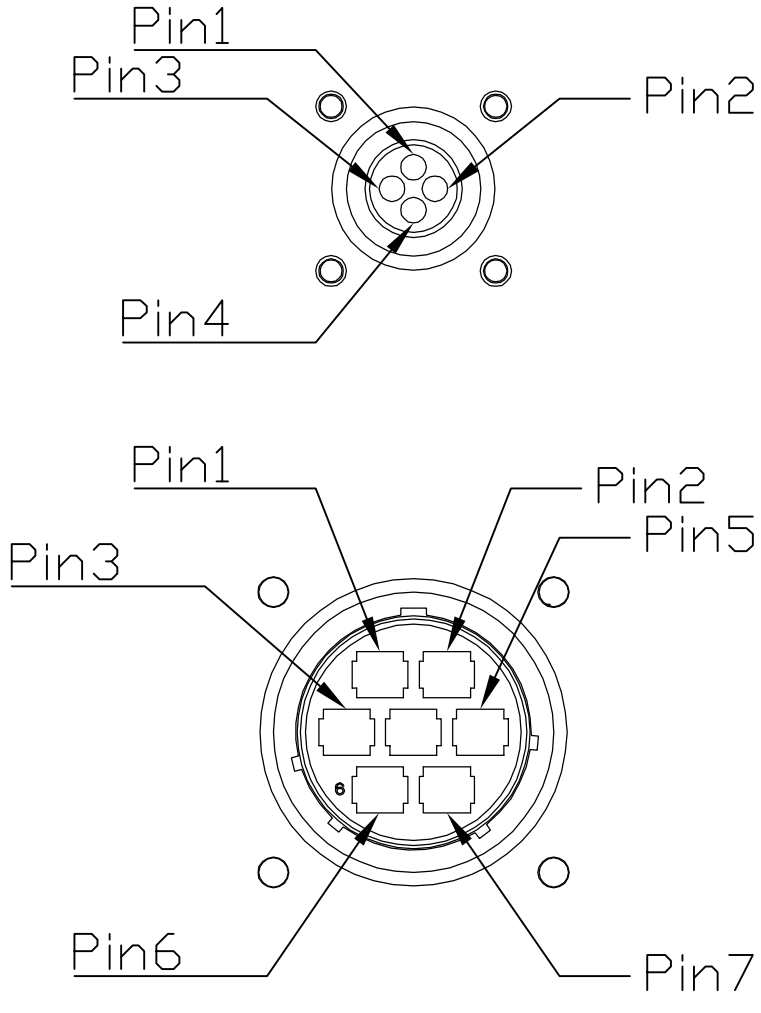
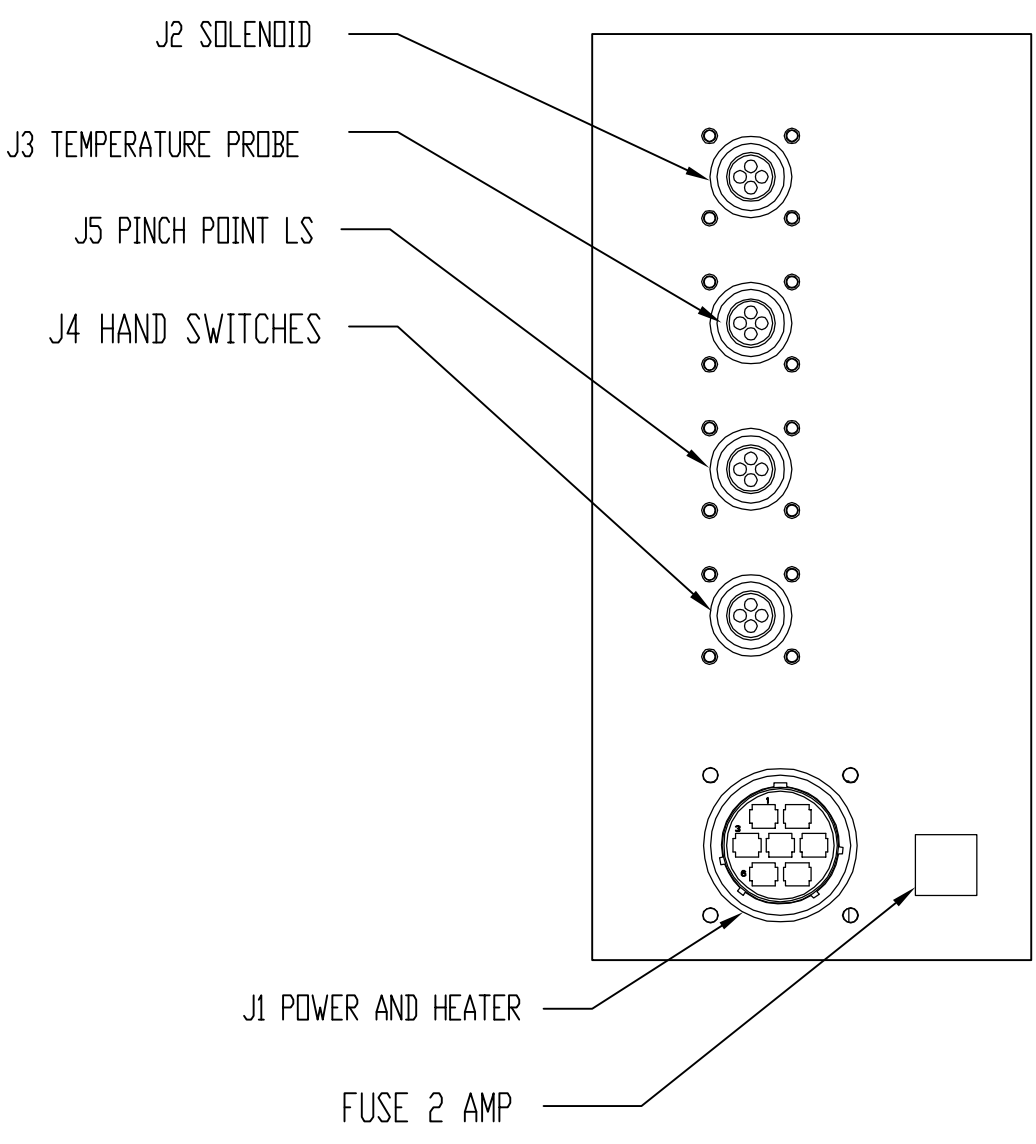


REV	DATE	CHANGE	TR NO.	REV BY.



APM ENGINEERING, INC.

1313 E. Borchard Ave
Santa Ana, CA 92705

TITLE
KENSOL IED-2
Digital Control Box Back

DRAWING NO. Digital_Box_Back IED-2.dwg SHEET 1 OF 1

DESIGNED BY IRWIN
 DRAWN BY IRWIN
 CHECKED BY C.S.I.
 APPROVED BY C.S.I.

A

B

C

D